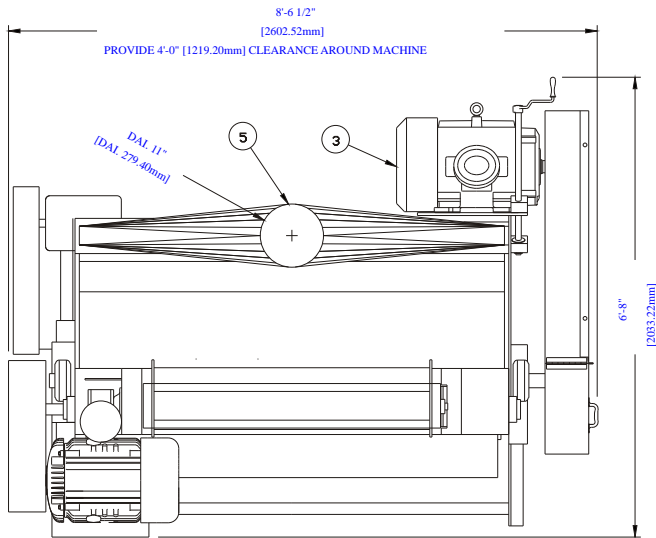


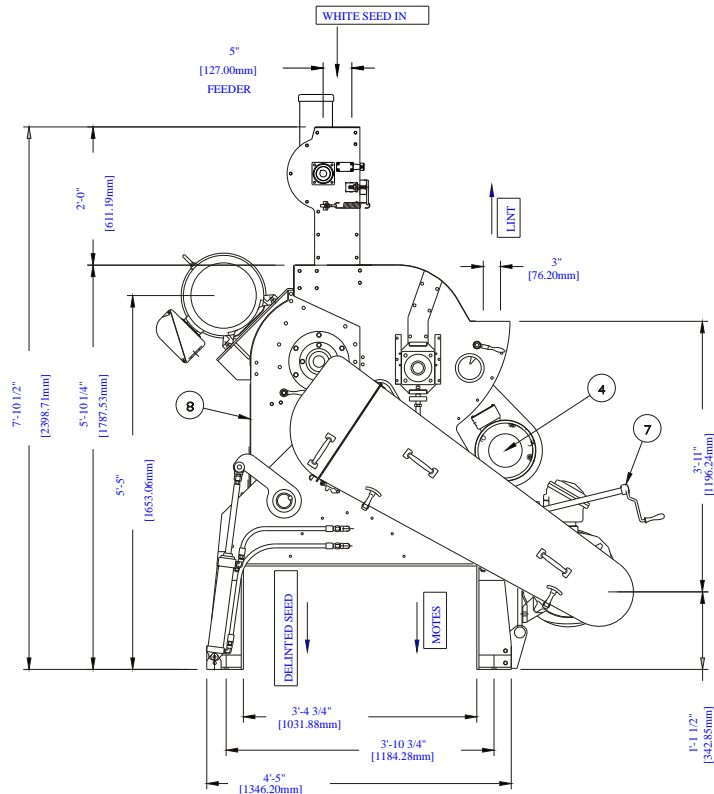
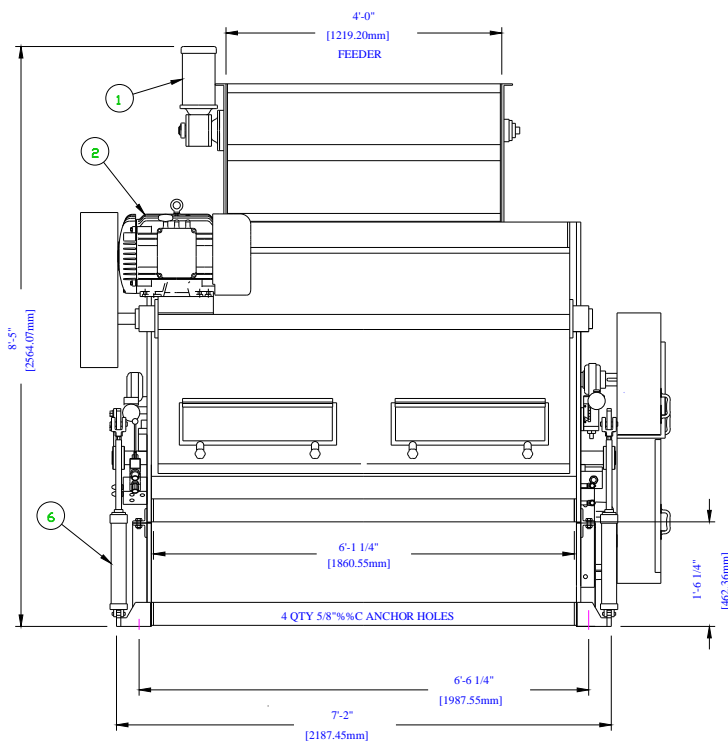
# SPECIFICATIONS: 200 SAW DELINTER



THE NEW COTTOR / CANTRELL 200 SAW DELINTER COMBINES THE HIGHEST CAPACITY LINT REMOVAL WITH THE LOWEST MAINTENANCE REQUIRED FOR ANY DELINTER ON THE MARKET TODAY.

THE EXTREMELY LOW PROFILE MAKES FOR EASY ADJUSTMENTS WHILE ALLOWING FOR SMOOTH TROUBLE FREE OPERATION. MONITORING THE DELINTERS' PERFORMANCE HAS NEVER BEEN EASIER WITH EXTRA LARGE INSPECTION WINDOWS AT THE MOST CRITICAL LOCATIONS.

HIGH PERFORMANCE, QUALITY LINT, RELIABILITY AND SAFETY ARE THE BEST REASONS FOR PURCHASING THIS NEW SAW DELINTER.



1] FEEDER MOTOR - .5HP - 1750RPM - 90V DC

2] FLOAT MOTOR - 25HP - 1450/1750RPM - 380/230-460V / 3PH / 50-60HZ

3] SAW MOTOR - 40HP - 1450/1750RPM - 380/230-460V / 3PH / 50-60HZ

4] BRUSH MOTOR - 3HP - 1000/1200RPM - 380/230-460V / 3PH / 50-60HZ

5] LINT AIR HOOD - 11" DIA. / 2200 CFM / 3340 FPM VELOCITY

6] DUAL GRATEFALL ASSIST HYDRAULIC CYLINDERS (600 PSI)

7] POSITIVE MECHANICAL BELT TENSIONING

8] 200 - 18" DIA. X .045" SAWS ON 7 15/16" DIA. CYLINDER

9] SHIPPING WEIGHT: 6800 LBS / 3084 KG

10] SHIPPING VOLUME: 477 FT<sup>3</sup> / 13.59 M<sup>3</sup>

## Cottor Plants (India) Pvt. Ltd.

Certified ISO 9001:2000 Company

706, Acme Plaza, Opp. Sangam Talkies, Andheri-Kurla Road, ANDHERI (EAST), MUMBAI - 400059, (INDIA.)

Tel: +91-22-2826 4201/2/3/4, Fax: +91-22-2834 6161, E-mail: [cottor@vsnl.com](mailto:cottor@vsnl.com), Website: [www.cottor.com](http://www.cottor.com)