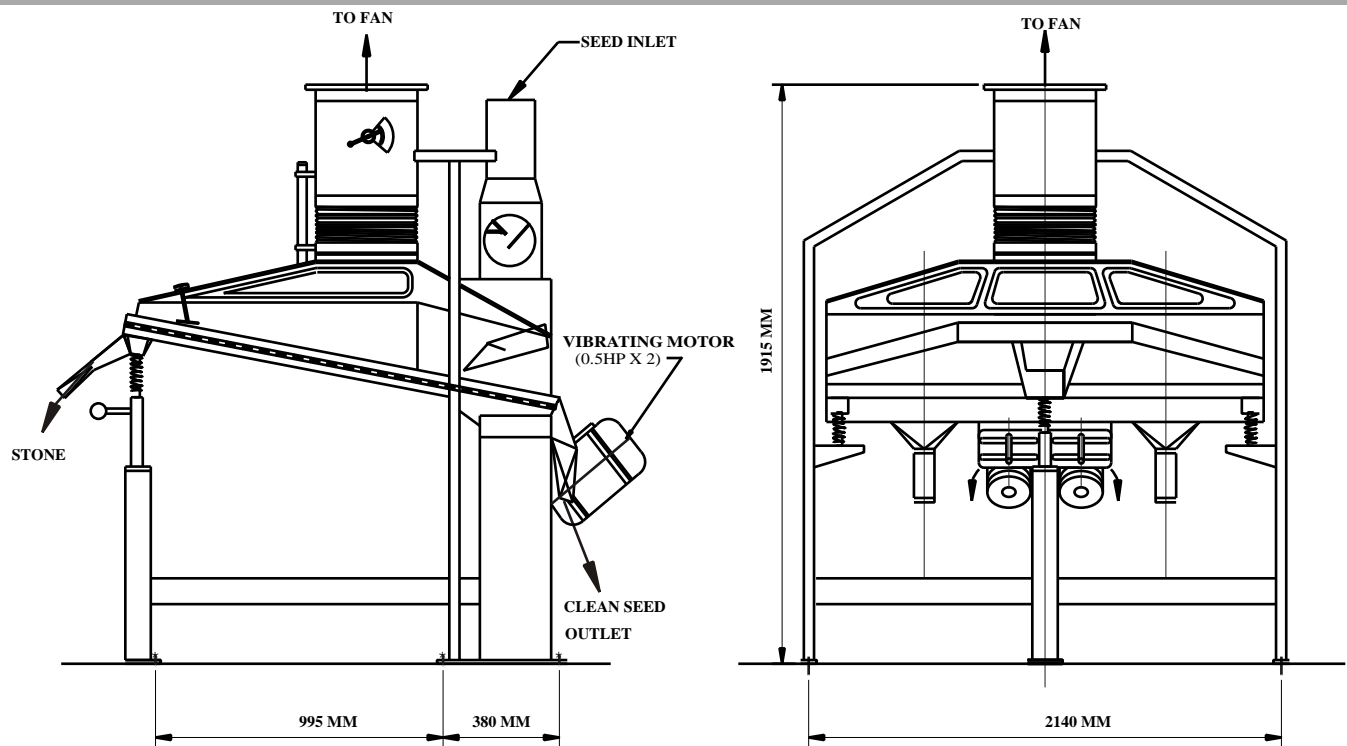


DRY DESTONER WITH VACCUMSYSTEM.



DRY DESTONER

## OPERATION :

The input material should be cleaned before feeding into the destoner.

The destoner is used to separate Stone, Glass, Metal pieces and other impurities present in soyabean,maize, grain, rice, wheat, pulses, sunflower seeds and other seeds.

The principle of this machine is to lift the material by vaccum, over an inclined vibrating screen covered deck. This results in the material, being suspended in the air, the heavier impurities (i.e. Stone, Glass, metal) are left behind on the screen and are discharged from the stone outlet.

Perfectly clean soyabean, maize, grain and other seeds are then discharged from the outlets, free from all impurities.