



Cottor Plants (India) Pvt. Ltd.

Certified ISO 9001:2015 Company

COTTOR IS PROUD TO HAVE ENTERED INTO TECHNICAL COLLABORATION WITH



**CANTRELL
WORLDWIDE INC.**

4292 Hwy 377, Suite 25, Aubrey, Dallas, Texas 76227, USA
PHONE: +1-972-302-2557 FAX: +1-214-279-0855
Email:- ayush@cantrellworldwide.com, rdb@cantrellworldwide.com
WEB:- www.cantrellworldwide.com

To Manufacture & Supply under licence
**Latest design, High capacity,
State of art modern technology,
Excellent performance,
Cotton Seed processing machinery & parts
For Vegetable Oil industries.**

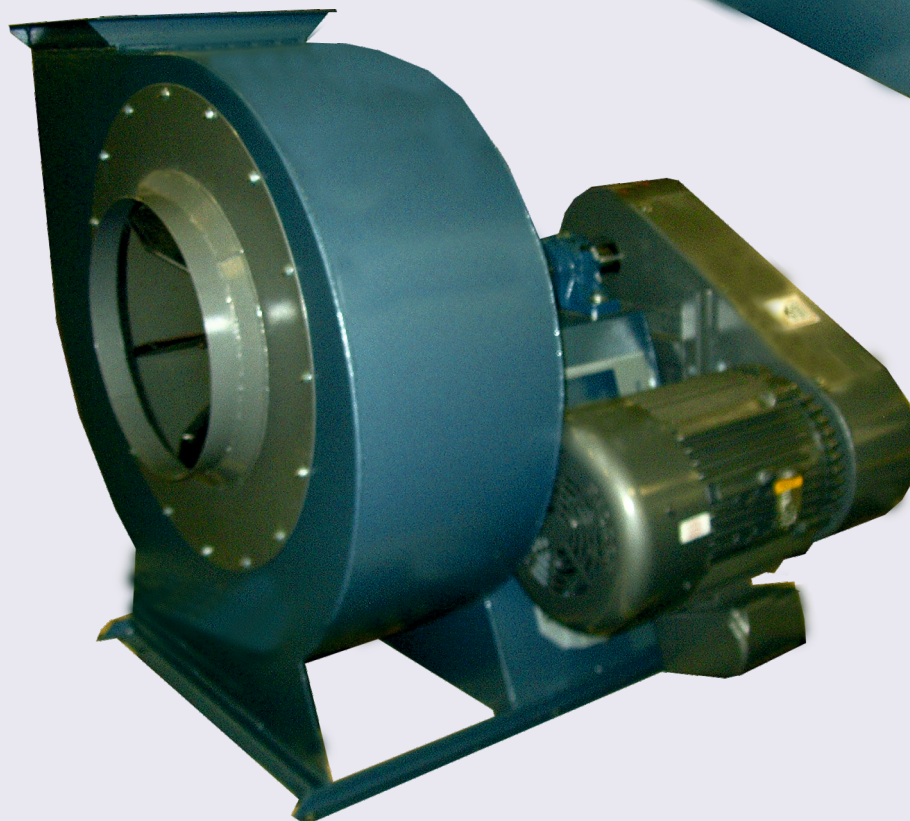
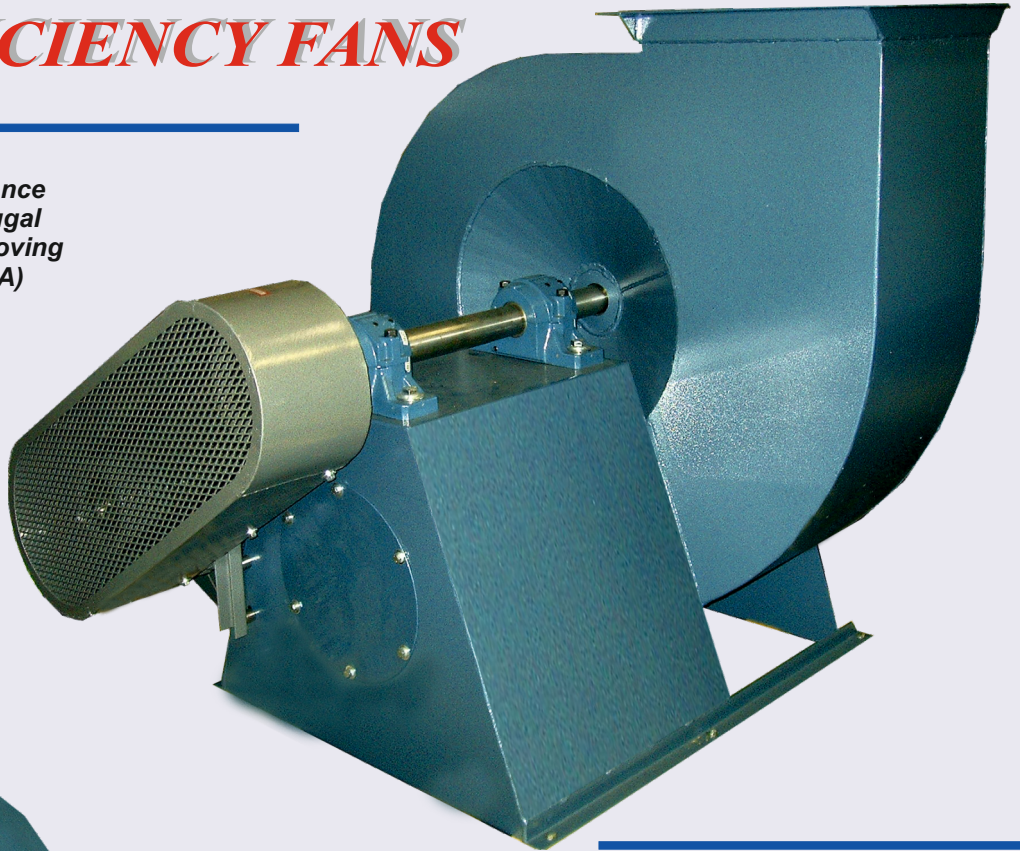
NEW...

HIGH EFFICIENCY FANS

Fan design has been tested in accordance with the standard test code for centrifugal and axial fans as adopted by the Air Moving & Conditioning Association, Inc. (AMCA)

Heavy duty, industrial grade, material wheel design.

Rugged double row spherical roller bearings insures long life and low maintenance.



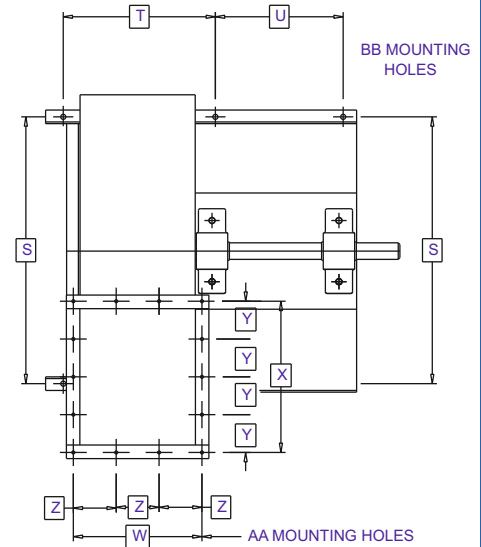
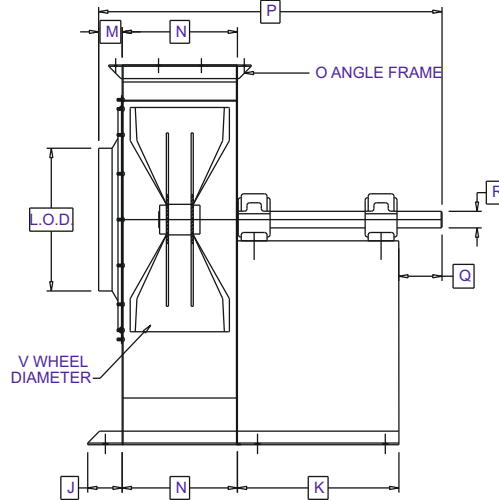
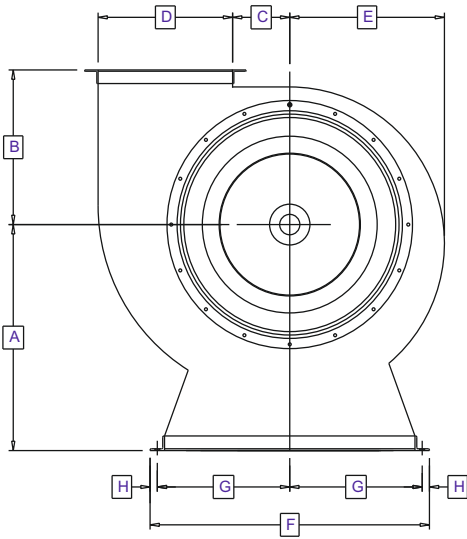
Unique design allows motor to be installed on inclined pedestal, eliminating the expense of remote motor base.

Precision turned ground and polished shaft aids in smooth well balanced performance.

Back cone, tapered inlet design and cupped blades enhance the static efficiency and reduce the losses for extra horsepower efficiency.

Comes in multiple sizes to fit your specific process requirement.

SPECIFICATIONS:



SIZE	20	25	30	35	40	45	50	55	60
PART NO.	OS-020801-01	OS-020801-02	OS-020801-03	OS-020801-04	OS-020801-05	OS-020801-06	OS-020801-07	OS-020801-08	OS-020801-09
A	17 1/8	17 1/8	23 3/16	23 3/16	28 1/4	28 1/4	33 1/4	33 1/4	36 1/4
B	12 1/4	13 1/2	15	17 1/2	19 3/4	21	22 3/4	24 1/2	26 1/2
C	4 1/4	4 3/4	5 1/2	6 3/4	7 1/2	8	8 1/2	9	10 1/4
D	8 1/2	10 3/4	12 3/4	14 3/4	16 1/2	18	20	22	24
E	11 1/4	13	14 3/4	17 1/2	19 1/2	21	23	25	27 1/4
F	22 3/4	22 3/4	29	29	34 1/4	34 1/4	38 1/4	38 1/4	
G	10 5/8	10 5/8	13 3/4	13 3/4	16 3/8	16 3/8	18 1/8	18 1/8	
H	3/4	3/4	3/4	3/4	3/4	3/4	1	1	
J	4 5/16	3 1/8	4 1/4	3 1/8	4 1/2	3	5 1/8	3 1/4	3 1/4
K	17 1/4	17 1/4	19 1/2	19 1/2	21 1/2	21 1/2	24	24	26
L	9 DIA.	11 DIA.	13 DIA.	15 DIA.	17 DIA.	19 DIA.	21 DIA.	23 DIA.	25 DIA.
M	3 1/8	3 1/8	3 3/8	3 3/8	3 1/4	3 1/4	3 1/2	3 1/2	5 1/4
N	7 11/16	8 7/8	11 1/4	12 3/8	13 7/8	15 3/8	17 1/8	19	20
O \leq	1 1/2 X 1/8	1 1/2 X 1/8	1 1/2 X 1/8	1 1/2 X 1/8	1 1/2 X 3/16	1 1/2 X 3/16	2 X 3/16	2 X 3/16	2 X 1/4
P	33 5/8	34 1/4	39	40 1/4	44 11/16	45 7/8	51 1/16	52 5/16	58 1/4
Q	5 9/16	5	5	5	5 3/4	5 3/4	6 7/16	6 7/16	7
R	1 7/16 DIA.	1 7/16 DIA.	1 11/16 DIA.	1 11/16 DIA.	2 3/16 DIA.	2 3/16 DIA.	2 7/16 DIA.	2 7/16 DIA.	2 11/16 DIA.
S	21 1/4	21 1/4	27 1/2	27 1/2	32 3/4	32 3/4	36 1/4	36 1/4	
T	12 3/4	14	16 5/8	17 3/4	19 1/8	20 5/8	22 5/8	24 1/2	28 1/2
U	13	13	15	15	17	17	19	19	20
V	18 1/4"	20"	22 1/4"	24 1/2"	27"	30"	33"	36 1/2"	40 1/4"
W	8 7/8	10 3/8	12 3/4	13 7/8	15 15/16	17 7/16	19 1/8	21	22
X	9 7/8	12 3/8	14 7/16	16 5/16	18 3/4	20 1/4	22 1/4	24 1/4	26 1/4
Y	2 TIMES 4 15/16	2 TIMES 6 3/16	3 TIMES 4 13/16	3 TIMES 5 7/16	3 TIMES 6 1/4	4 TIMES 5 1/16	4 TIMES 5 9/16	4 TIMES 6 1/16	5 TIMES 4 1/4
Z	2 TIMES 4 7/16	2 TIMES 5 3/16	2 TIMES 6 3/8	3 TIMES 4 5/8	3 TIMES 5 5/16	3 TIMES 5 13/16	3 TIMES 6 3/8	4 TIMES 5 1/4	4 TIMES 5/12
AA	7/16"	7/16"	7/16"	7/16"	7/16"	7/16"	7/16"	7/16"	7/16"
BB	1/2"	1/2"	1/2"	1/2"	1/2"	1/2"	3/4"	3/4"	3/4"

Cottor Plants (India) Pvt. Ltd.

Certified ISO 9001:2015 Company

706, Acme Plaza, Opp. Sangam Talkies, Andheri-Kurla Road, ANDHERI (EAST), MUMBAI - 400059, (INDIA.)

Tel: +91-22-2826 4201/2/3/4, E-mail: cottorindia@cottor.com, Website: www.cottor.com