



Cottor Plants (India) Pvt. Ltd.

Certified ISO 9001:2015 Company

DRY DESTONER

SOYABEAN
↓
MAIZE
↓
RICE
↓
GRAIN
↓
COFFEE
↓
BEANS
↓
SEEDS
↓
NUTS
↓
Other Products



UNIQUE FEATURES

↓
SIMPLE ADJUSTMENTS
AND OPERATIONAL FRIENDLY.

↓
PRACTICALLY NO MAINTENANCE
AND EASY TO SERVICE.

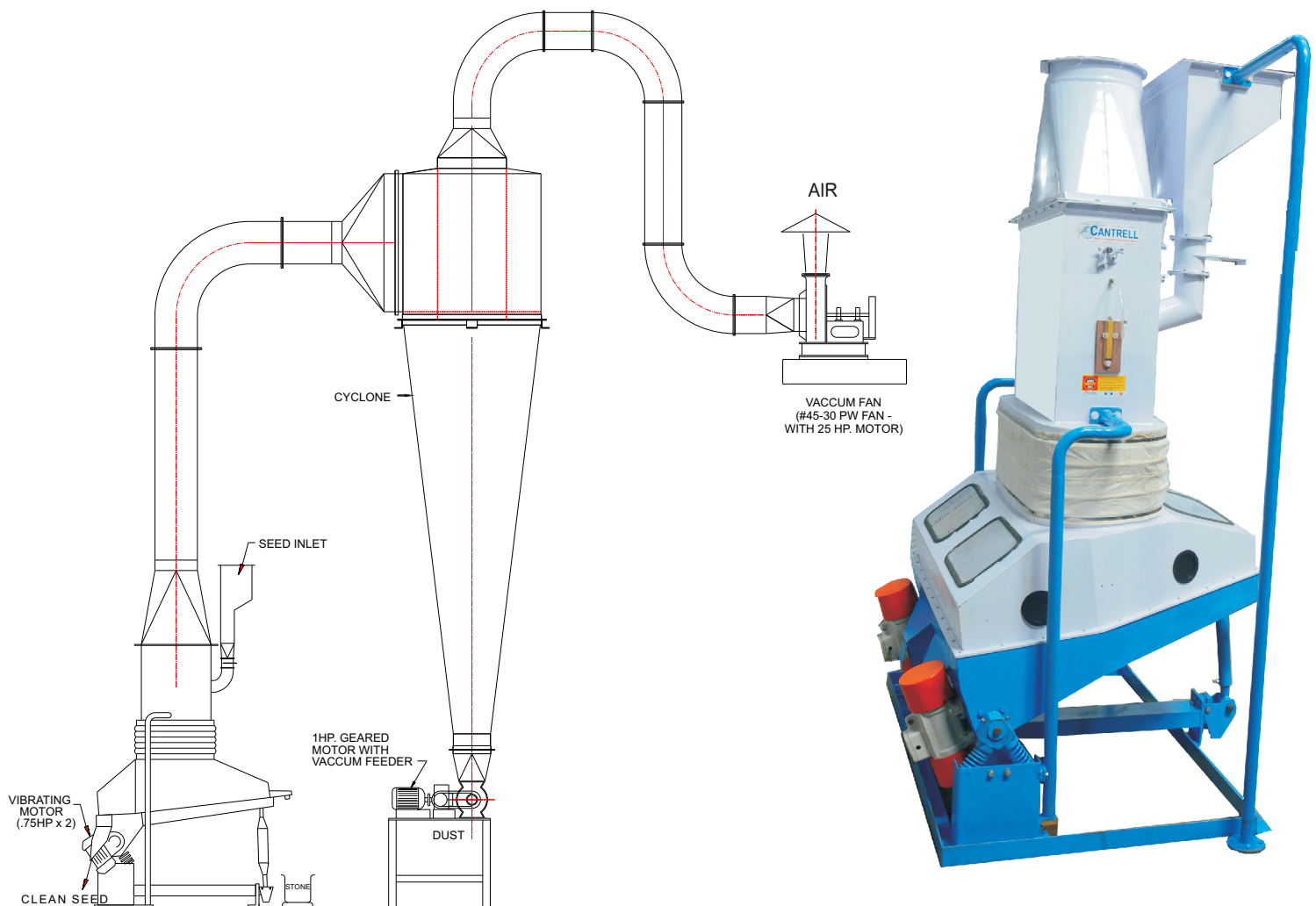
↓
HIGH CAPACITY MACHINE
WITH EXCELLENT RESULTS.

↓
LESS POWER CONSUMPTION.
DUST FREE AND LOW
NOISE OPERATION.

New model, scientifically designed, vacuum operated destoner Machine. This machine is totally closed, with 2 nos. Vibratory motors. It is made from high quality material for long life Low maintenance and trouble free operation.

- **Soyabean processing plant,**
- **Maize Starch factories,**
- **Roller flour mills,**
- **Rice mills and other**
- **Foods industries.**

SPECIFICATIONS: DRY DESTONER



OPERATION :

The input material should be cleaned before feeding into the destoner.

The destoner is used to separate Stone, Glass, Metal pieces and other impurities present in soyabean,maize, grain, rice, wheat, pulses, and other seeds.

This is vacuum operation Destoner & The principle of this machine is to lift the material by vacuum, over an inclined vibrating specially design lip screen covered deck. This results in the material, being suspended in the air, the heavier impurities (i.e. Stone, Glass, metal) are left behind on the screen and are discharged from the stone outlet.

Perfectly clean soyabean, maize, grain and other seeds are then discharged from the outlets, free from all impurities.

Cottor Plants (India) Pvt. Ltd.

Certified ISO 9001:2015 Company

706, Acme Plaza, Opp. Sangam Talkies, Andheri-Kurla Road, ANDHERI (EAST), MUMBAI - 400059, (INDIA.)
Tel: +91-22-2826 4201/2/3/4, E-mail: cottorindia@cottor.com, Website: www.cottor.com