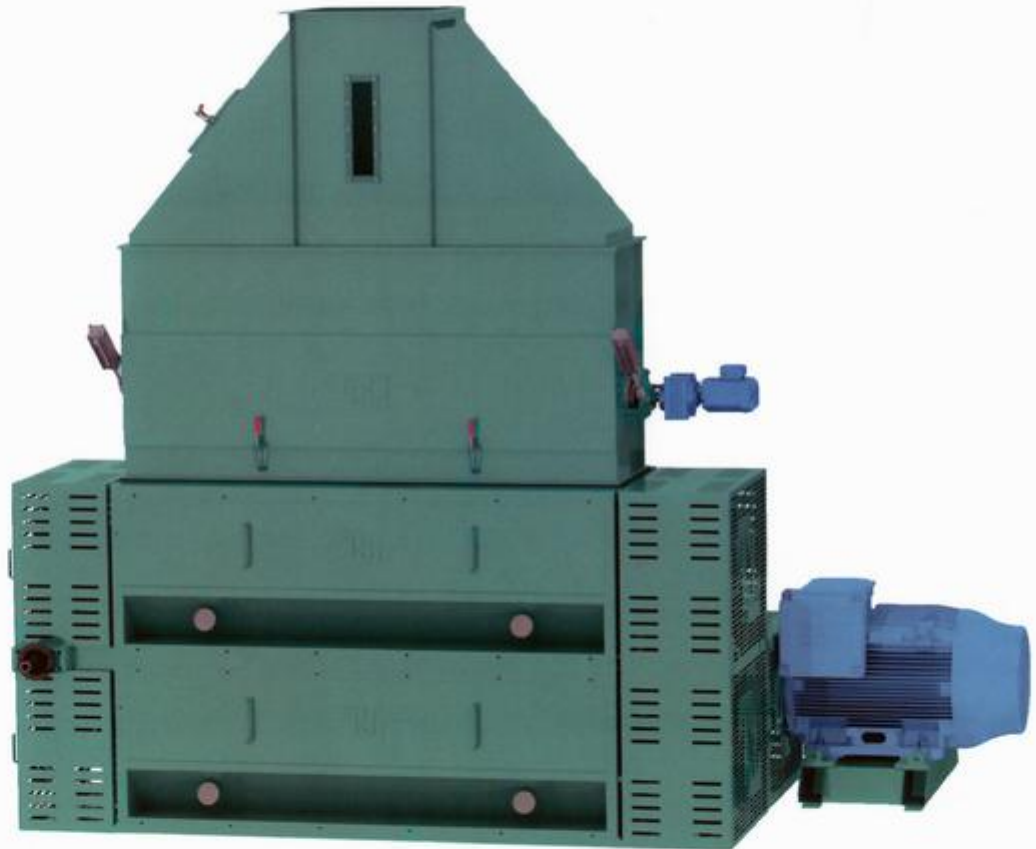


TNL | **TECNAL** **Crackers**



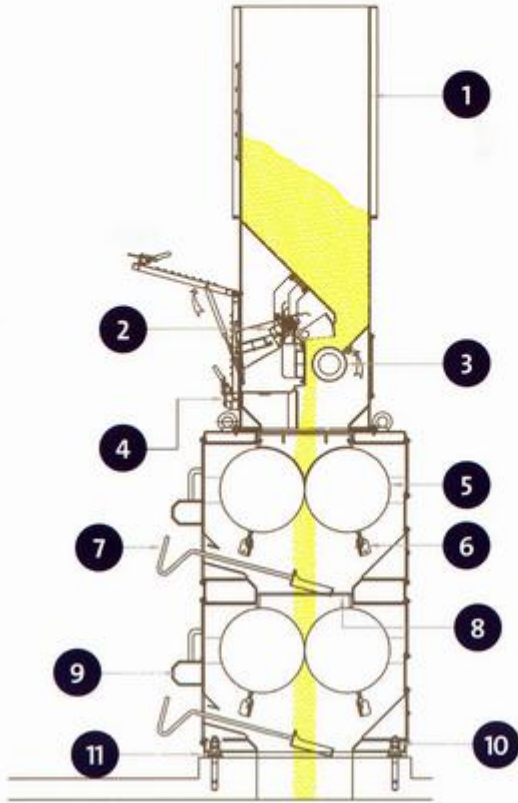
Lower cost, better results.



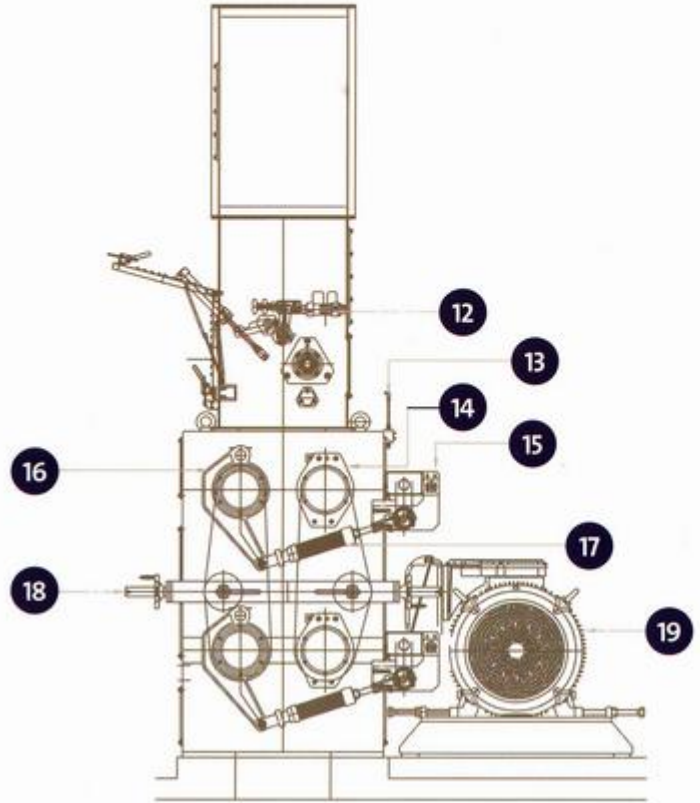
TNL TECNAL
TOGETHER IN THE

AND **COTTOR**
INDIAN MARKET.

Main Parts

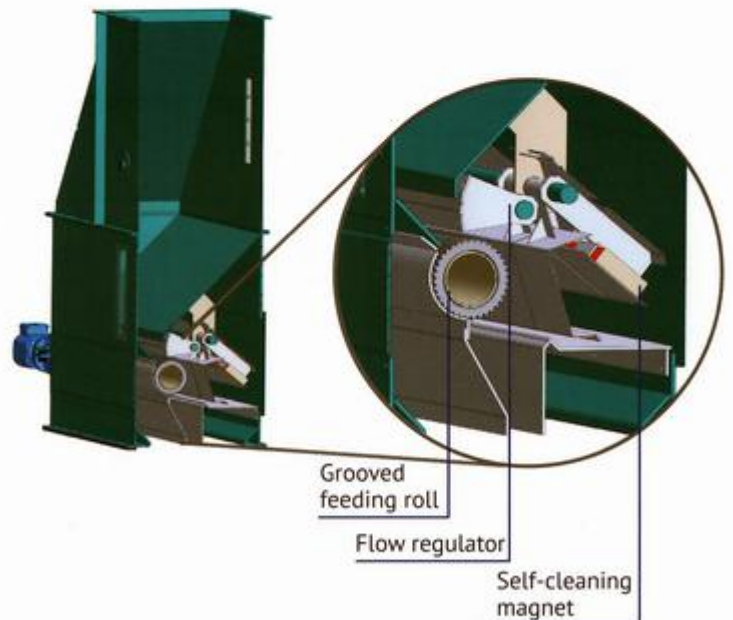


- 1 Feeding hopper
- 2 Self cleaning magnet, hinged type activated by piston - ferrous pieces can be removed with the equipment in operation
- 3 Feeder with variable speed
- 4 Safety switch
- 5 Grooved rolls
- 6 Cleaning system of the roll with brushes
- 7 Sample collection system
- 8 Restraint system against leak of material through the rolls end
- 9 Disassembly of the rolls through the front of the machine
- 10 Leveling screw
- 11 Anti-vibrating resin



- 12 Pneumatic piston for the flow regulator-with automatic closing in case of lack of energy
- 13 Centralized lubrication console
- 14 Fixed bearing house
- 15 Adjustment of the gap between rolls - single adjustment command for each pair of rolls
- 16 Movable bearing house
- 17 Opening and closing of roll: spring regulator device
- 18 Belt tensioning system
- 19 Main drive

Feeding System



Grooved feeding roll

Flow regulator

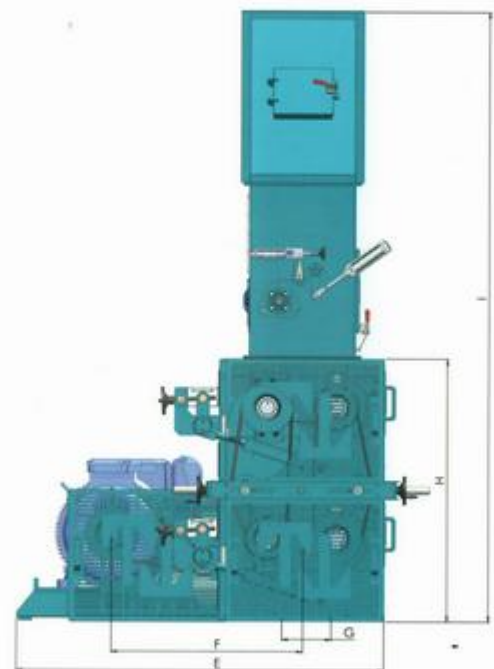
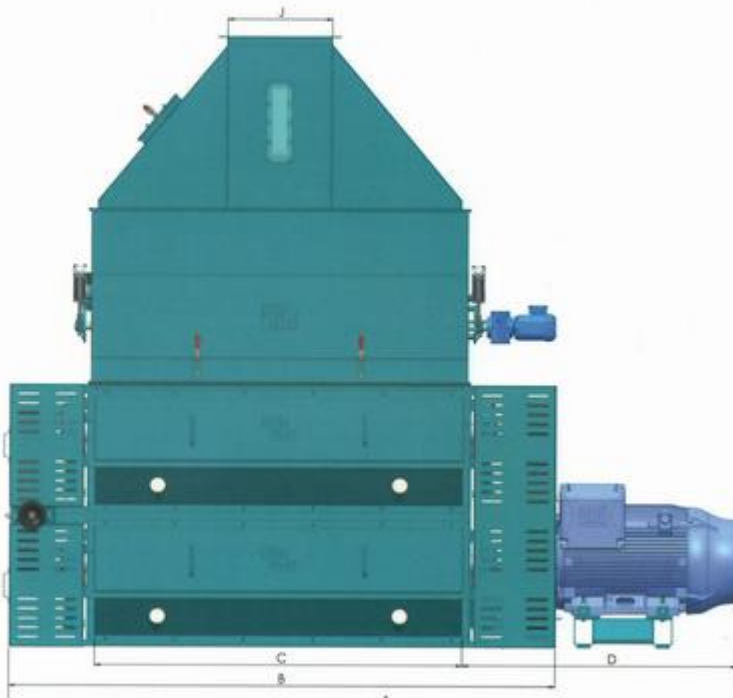
Self-cleaning magnet

Features

- Robust and easy to operate.
- TECNAL's Crackers provide the cracking of the beans in 4 to 8 pieces. They are equipped with 4 grooved rolls mounted on spherical roller bearings.
- Different speed between rolls, with opening regulations with a scaled wheel, allowing fine adjustments. Even in the closest point the rolls do not touch each other.
- Power transmission by only one motor, what allows equal maintenance of the rolls if compared to crackers with one motor for each pair of rolls.
- The speed difference between the rolls is obtained by transmission with pulleys and belts, providing a more efficient work.
- Movable bearing houses equipped with corresponding spring protection system against foreign bodies.
- Feeder equipped with a device for adjustments and control of feeding flow of material.
- Feeder equipped with self-cleaning magnet system.
- Safety panel to avoid operator to touch the rolls during removal of ferrous bodies.

Dimensions

	A	B	C	D	E	F	G	H	I	J
TMQ-25	2530	1955	1270	905	1710	900	300	1420	3370	400
TMQ-35	2835	2000	1320	1185	1810	600	400	1420	3370	400
TMQ-40	3155	2200	1520	1305	1935	975	400	1435	3850	500
TMQ-50	3715	2820	1920	1360	1950	975	400	1445	3446	600
TMQ-60	4215	3137	2130	1610	2125	1100	450	1545	3545	600



Sizes/Capacities

SOYBEAN BASIS	CAPACITY (TPD)	POWER (hp)	ROLLS ϕ	LENGHT	WEIGHT (ton)
TMQ-25	300	30	250	1250	6
	400	40	250	1250	6
TMQ-35	500	50	350	1300	8
	600	60	350	1300	8
TMQ-40	750	75	350	1500	9
TMQ-50	1000	100	350	1900	11
	1200	125	350	1900	11
TMQ-60	1500	150	400	2100	12.5

Tecnal Around the World



Rodovia Raposo Tavares, km 381
 19915-022 - Ourinhos - SP - Brazil
 +55 14 3302-2544
 export@tecnal.ind.br
 www.tecnal.ind.br



Cottor Plants (India) Pvt. Ltd.

Certified ISO 9001:2015 Company

706, Acme Plaza, Opp. Sangam Talkies, Andheri-kurla Road,
 Andheri (east), Mumbai - 400059, (india.)

Tel: +91-22-2826 4201/2/3/4,

E-mail: cottorindia@cottor.com, Website: www.cottor.com