



Cottor Plants (India) Pvt. Ltd.

Certified ISO 9001:2015 Company

COTTOR IS PROUD TO HAVE ENTERED INTO TECHNICAL COLLABORATION WITH



**CANTRELL
WORLDWIDE INC.**

4292 Hwy 377, Suite 25, Aubrey, Dallas, Texas 76227, USA
PHONE: +1-972-302-2557 FAX: +1-214-279-0855
Email:- ayush@cantrellworldwide.com, rdb@cantrellworldwide.com
WEB:- www.cantrellworldwide.com

To Manufacture & Supply under licence
Latest design, High capacity,
State of art modern technology,
Excellent performance,
Cotton Seed processing machinery & parts
For Vegetable Oil industries.

NEW... 60" EIGHT BASKET BEATER

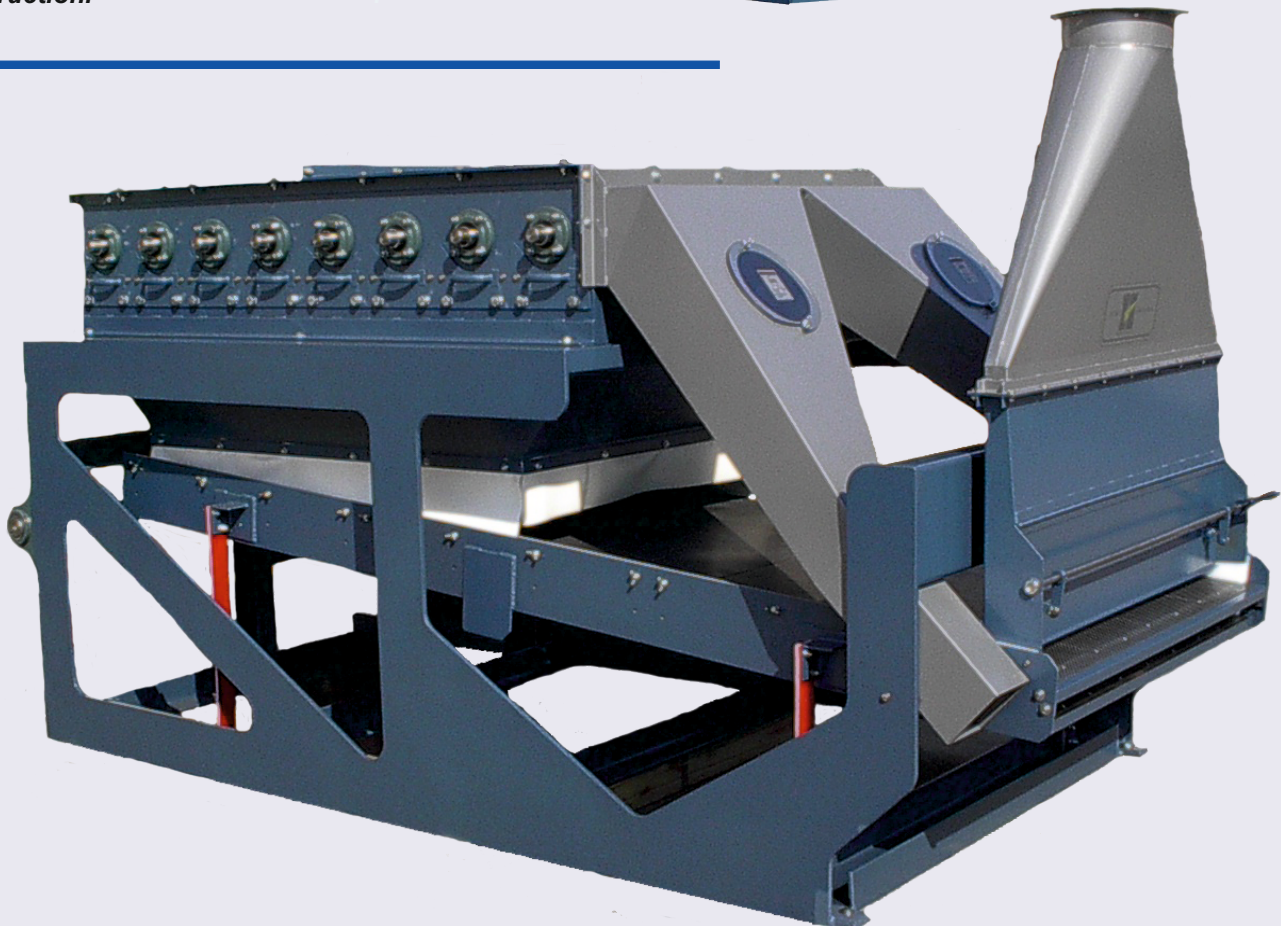
For better fluffing of linty hulls and highest recovery of meats.

Self cleaning screens for more consistent results.

Beater screens mounted in easy-pull trays for quick change and ease of maintenance.

Extra heavy duty eccentrics for long life.

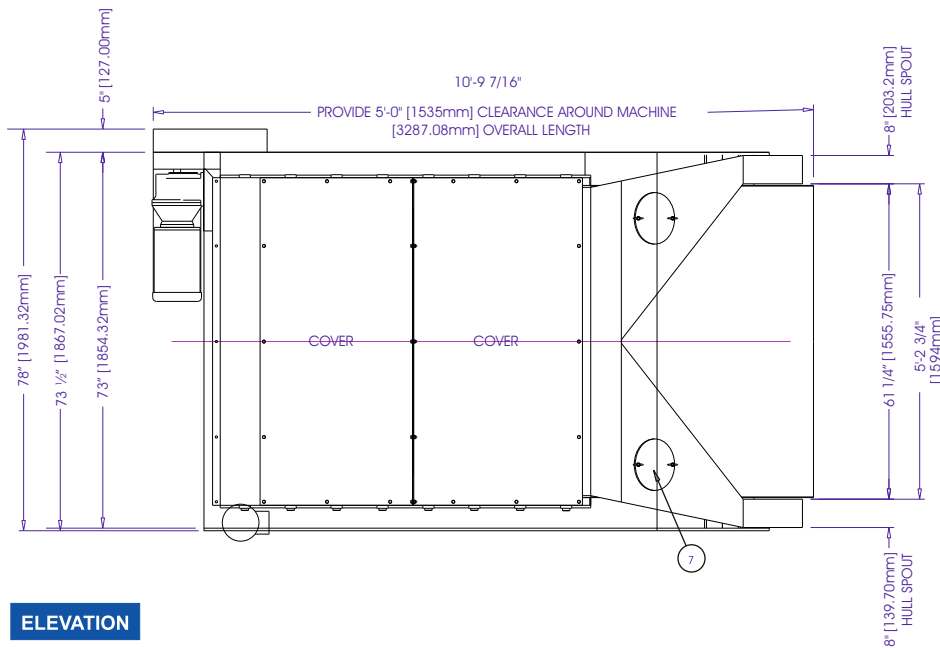
Clean rugged design with steel plate construction.



SEPECIFICATION

60" EIGHT BASKET BEATER

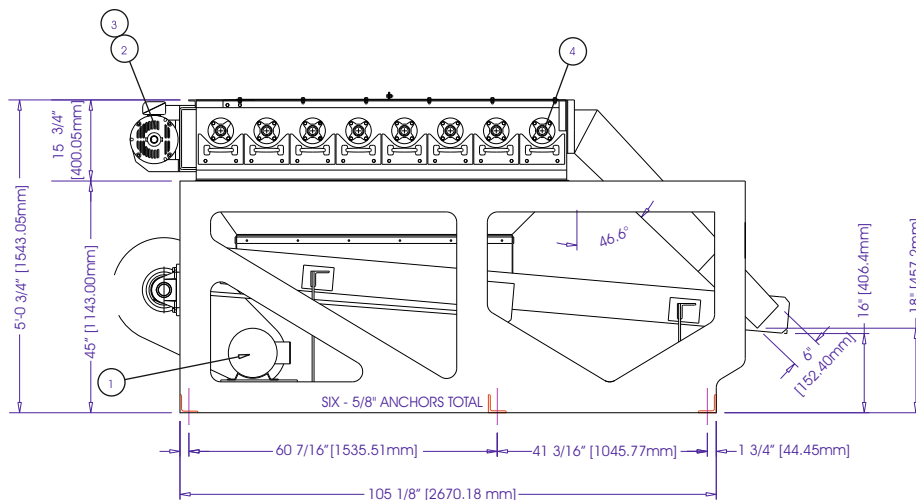
PLAN



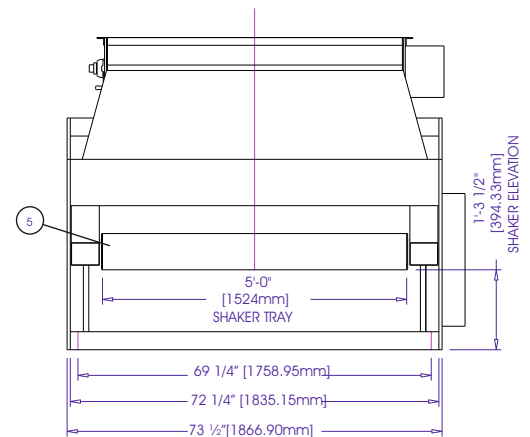
THE COTTOR / CANTRELL BEATER / SHAKER IS DESIGNED TO PRODUCE HULLS WITH A MINIMUM OIL CONTENT BY EFFICIENTLY BEATING THE HULLS TO REMOVE THE FINE, FLOURY AND SMALL PARTICLES OF MEAT SAND ONLY LINT

THE MACHINE CONSISTS OF AN EIGHT-CHAMBER BEATER SECTION MOUNTED ABOVE A SHAKER SEPARATOR TRAY.

ELEVATION



FRONT



1] SHAKER MOTOR - 2HP-1440/1200 RPM-380/230-440V / 3 PH / 50-60HZ

2] BEATER MOTOR - 5HP-1440/1200 RPM-380/230-440V / 3 PH / 50-60HZ

3] GEAR REDUCER, DOUBLE REDUCTION / HELICAL GEAR 9.3:1

4] 60" EIGHT STATIONARY SCREENS - REMOVABLE

5] SHAKER TRAY - 36 SQ FT OF SELF CLEANING SASH

6] ADJUSTABLE AIR HOOD - 10" DIA. / 1900 CFM / 3484 FPM

7] INSPECTION WINDOWS - 2 LARGE 10" DIA. VIEWING AREAS

8] HEAVY RUGGED \ PLATE CONSTRUCTION

9] SHIPPING WEIGHT : 4500 LBS / 2041 KG

10] SHIPPING VOLUME : 350 FT / 10M

Cottor Plants (India) Pvt. Ltd.

Certified ISO 9001:2015 Company

706, Acme Plaza, Opp. Sangam Talkies, Andheri-Kurla Road, ANDHERI (EAST), MUMBAI - 400059, (INDIA.)

Tel: +91-22-2826 4201/2/3/4, E-mail: cottorindia@cottor.com, Website: www.cottor.com